

BATHROOM FAUCETS COMPREHENSIVE MANUAL



Installation Manual



IAPMO RESEARCH AND TESTING, INC.
5001 East Philadelphia Street, Ontario, California 91761-2816 - USA - 909-472-4100 - 909-472-4244 - www.iapmort.org

 **CERTIFICATE OF LISTING**

IAPMO Research and Testing, Inc. is a product certification body which tests and inspects samples taken from the supplier's stock or from the market or a combination of both to verify compliance to the requirements of applicable codes and standards. This activity is coupled with periodic surveillance of the supplier's factory and warehouses as well as the assessment of the supplier's Quality Assurance System. This listing is subject to the conditions set forth in the characteristics below and is not to be construed as any recommendation, assurance or guarantee by IAPMO Research and Testing, Inc. of the product acceptance by Authorities Having Jurisdiction.

This certificate is not evidence of current listing. To verify listing status, visit the IAPMO R&T Product Listing Directory at pld.iapmo.org

Effective Date: December 2019 -Rev. 2/24/2020- Void After: December 2024
Product: Flexible Water Connectors File No. 5311
Issued To: Fanki Group Inc.
Mechanical & Electrical
Industrial Zone,
Yuhuan County,
Yuhuan 317600, ZHEJIANG
China

Identification: Products shall be marked with manufacturer's name or trademark, a statement "For use with water in accessible locations only." The products shall also bear the cUPC® certification mark. Markings shall be by means of either a permanent mark on the product, a label on the product or a tag attached to the product.

Characteristics: Flexible water connectors manufactured in various sizes, lengths and metal end fittings for hot or cold water applications that consist of an inner tube, which may or may not have an outer braided cover. Connectors are to be installed for use in accessible locations only. To be installed in accordance with the manufacturer's instruction, and the latest edition of the Uniform Plumbing Code and National Plumbing Code of Canada.

Products listed on this certificate have been tested by an IAPMO R&T recognized laboratory. This recognition has been granted based upon the

This listing period is based upon the last date of the month indicated on the Effective Date and Void After Date shown above. Any change in material, manufacturing process, marking or design without having first obtained the approval of the Product Certification Committee, or any evidence of non-compliance with applicable codes and standards or of inferior workmanship, may be deemed sufficient cause for revocation of this listing. Production of or reference to this form for advertising purposes may be made only by specific written permission of IAPMO Research and Testing, Inc. Any alteration of this certificate could be grounds for revocation of the listing. This document shall be reproduced in its entirety.

IAPMO RESEARCH AND TESTING, INC.
5001 East Philadelphia Street, Ontario, California 91761-2816 - USA - 909-472-4100 - 909-472-4244 - www.iapmort.org

 **CERTIFICATE OF LISTING**

IAPMO Research and Testing, Inc. is a product certification body which tests and inspects samples taken from the supplier's stock or from the market or a combination of both to verify compliance to the requirements of applicable codes and standards. This activity is coupled with periodic surveillance of the supplier's factory and warehouses as well as the assessment of the supplier's Quality Assurance System. This listing is subject to the conditions set forth in the characteristics below and is not to be construed as any recommendation, assurance or guarantee by IAPMO Research and Testing, Inc. of the product acceptance by Authorities Having Jurisdiction.

This certificate is not evidence of current listing. To verify listing status, visit the IAPMO R&T Product Listing Directory at pld.iapmo.org

Effective Date: November 2019 Void After: November 2024
Product: Plumbing Fixture Fittings File No. 10633
Issued To: Aqua Gallery Co., Ltd
13th-15th A10 Block
International Ceramics
Sanitary City, 528000
Foshan,
China

Identification: Plumbing supply fittings complying with this Standard shall be marked with the manufacturer's recognized name, trademark, or other mark or, in the case of private labeling, the name, trademark or other mark of the customer for whom the fitting was manufactured. The marking shall be accomplished by use of a permanent mark or by placing a permanent label on the product. Markings on plumbing supply fittings shall be visible after installation.

Single-handle, single-control, and automatic compensating mixing bath and shower valves shall have identifiable temperature control settings in which the settings are indicated by words ("cold", "warm", "hot", etc.), by numbers, or graphically.

Packages shall be marked with the manufacturer's name, trademark, or other mark as well as the model number or, in the case of private

This listing period is based upon the last date of the month indicated on the Effective Date and Void After Date shown above. Any change in material, manufacturing process, marking or design without having first obtained the approval of the Product Certification Committee, or any evidence of non-compliance with applicable codes and standards or of inferior workmanship, may be deemed sufficient cause for revocation of this listing. Production of or reference to this form for advertising purposes may be made only by specific written permission of IAPMO Research and Testing, Inc. Any alteration of this certificate could be grounds for revocation of the listing. This document shall be reproduced in its entirety.

IAPMO RESEARCH AND TESTING, INC.
5001 East Philadelphia Street, Ontario, California 91761-2816 - USA - 909-472-4100 - 909-472-4244 - www.iapmort.org

 **CERTIFICATE OF LISTING**

IAPMO Research and Testing, Inc. is a product certification body which tests and inspects samples taken from the supplier's stock or from the market or a combination of both to verify compliance to the requirements of applicable codes and standards. This activity is coupled with periodic surveillance of the supplier's factory and warehouses as well as the assessment of the supplier's Quality Assurance System. This listing is subject to the conditions set forth in the characteristics below and is not to be construed as any recommendation, assurance or guarantee by IAPMO Research and Testing, Inc. of the product acceptance by Authorities Having Jurisdiction.

This certificate is not evidence of current listing. To verify listing status, visit the IAPMO R&T Product Listing Directory at pld.iapmo.org

Effective Date: March 2019 Void After: March 2024
Product: Plumbing Fixture Fittings - Components File No. MC-9703
Issued To: Ningbo Hanhai Cartridge Technology Co., Ltd.
Xiachen Zone, Chunbu
Fenghua, NINGBO 315538
China

Identification: Each fitting component shall bear permanent legible markings to identify the manufacturer. This marking shall be the trade name, trademark, or other mark known to identify the manufacturer. The product shall also bear all other markings required by the standard. The marking shall be applied so as to be visible after installation. The product or packaging shall also bear the cUPC® certification mark along with the term "COMPONENT" above.

Characteristics: Plumbing fixture fitting components to be installed in accordance with the manufacturer's instructions and the requirements of the latest edition of the Uniform Plumbing Code.

Products listed on this certificate have been tested by an IAPMO R&T recognized laboratory. This recognition has been granted based upon the laboratory's compliance to the applicable requirements of ISO/IEC 17025.

Products are in compliance with the following code(s):
Uniform Plumbing Code (UPC®)

This listing period is based upon the last date of the month indicated on the Effective Date and Void After Date shown above. Any change in material, manufacturing process, marking or design without having first obtained the approval of the Product Certification Committee, or any evidence of non-compliance with applicable codes and standards or of inferior workmanship, may be deemed sufficient cause for revocation of this listing. Production of or reference to this form for advertising purposes may be made only by specific written permission of IAPMO Research and Testing, Inc. Any alteration of this certificate could be grounds for revocation of the listing. This document shall be reproduced in its entirety.

For customer support or assistance with product installation, please feel free to contact us:

Email: support@rainly.io

Our dedicated support team is available to assist you and provide the best customer service experience. Please don't hesitate to reach out if you have any questions or encounter any issues.

PRECAUTIONS BEFORE FAUCET INSTALLATION

Dear user:

Thank you for purchasing our products, so that you can easily install and use this product. At the same time, enjoy the quality service we provide for you. Please read this

Installation and use guide:

1. Installation method

1. Before installing the product, remove the foreign matters in the water pipe and supply water. The installation of pipes must be strictly subject to the following requirements:

2. Fix G1/2" to G3/4" zigzag foot. Check the wall (G1/2" to G3/4"). Whether the foot is balanced (see Figure 1):

3. Fix the faucet on the table top and porcelain basin, or fix it on the wall with wall nuts. Water inlet of faucet. Connect with the water supply pipe (please make sure that the left water inlet is hot water and the right water inlet is cold water).

4. In order to enable users to install this product successfully and achieve the best use effect, it is recommended to employ skilled technicians for correct installation.

2. Use and maintenance

1. If the water outlet flow is found to be insufficient during use, please check whether the water pressure from the water outlet is normal (water pressure 0.3MPa. The effect is best); Then check whether there are sundries on the core of the faucet and the filter screen at the connection between the hose and the angle valve. Blockage; If blocking is found, please remove the nozzle core for cleaning:

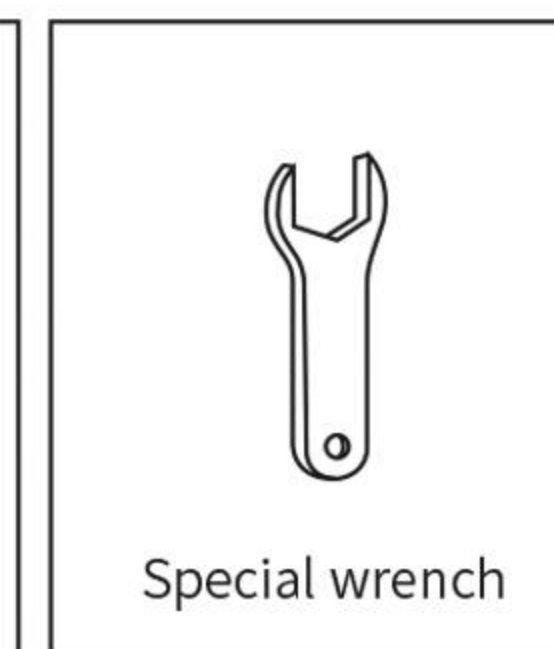
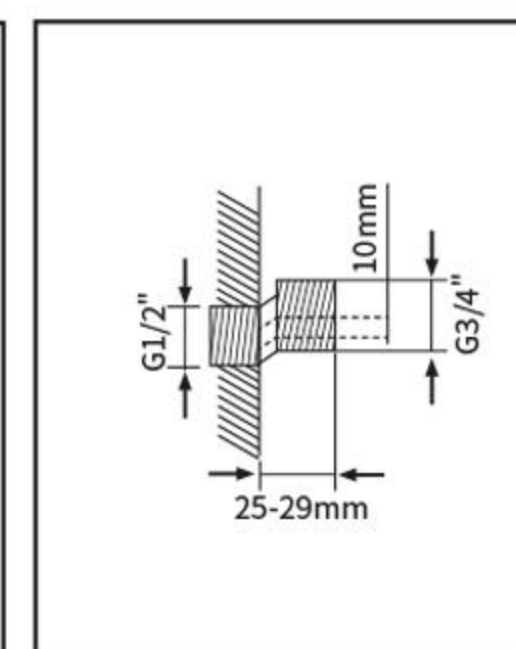
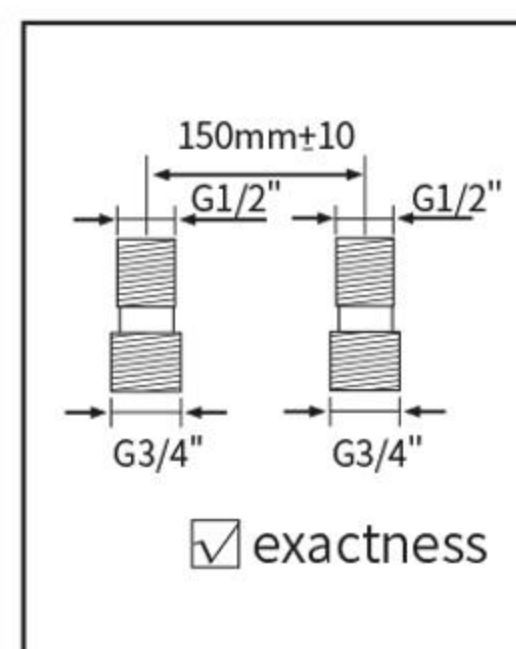
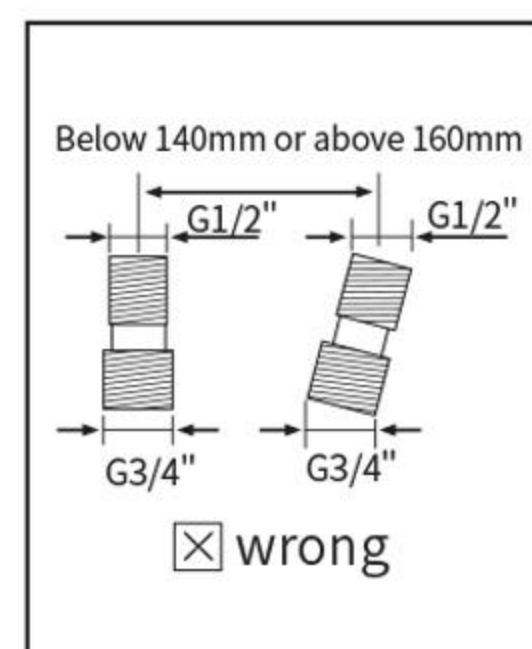
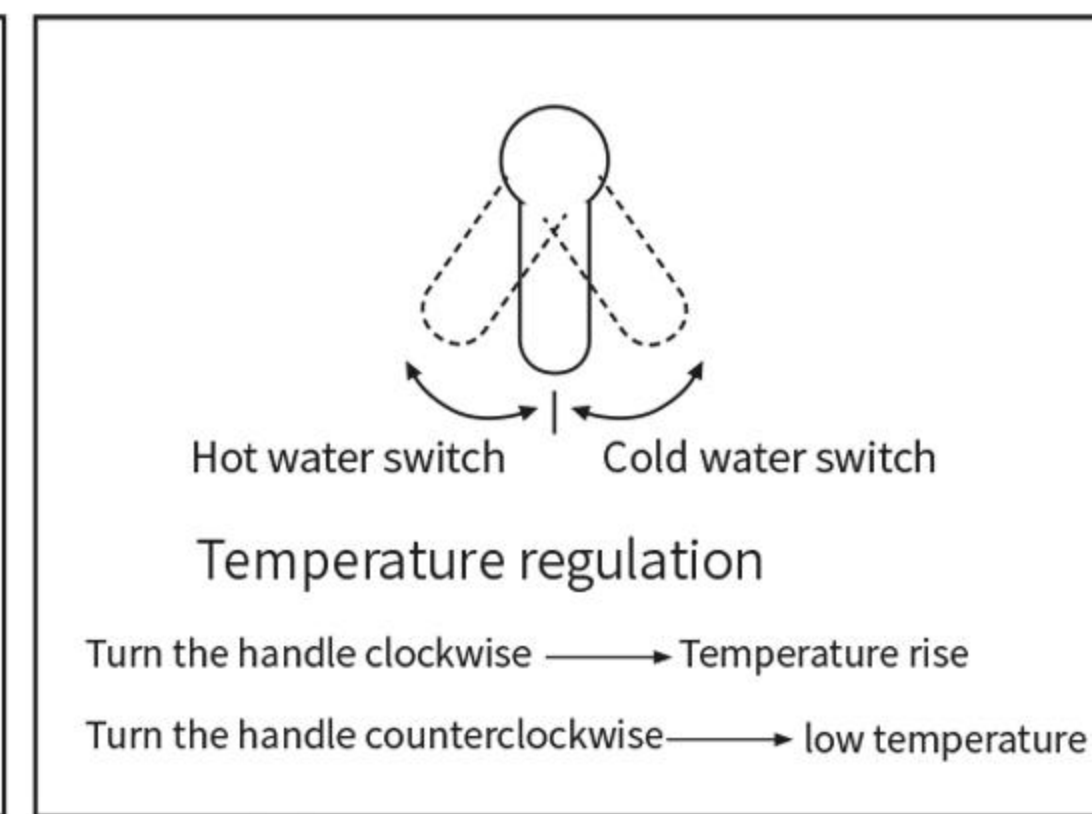
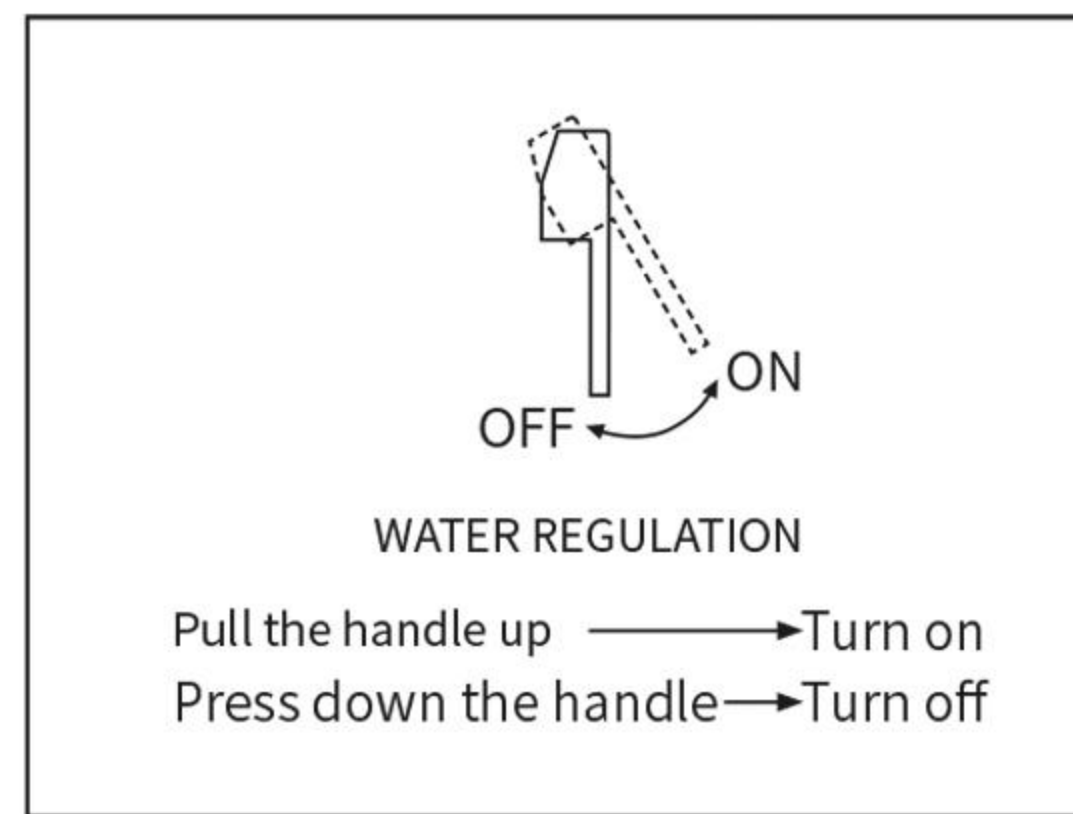
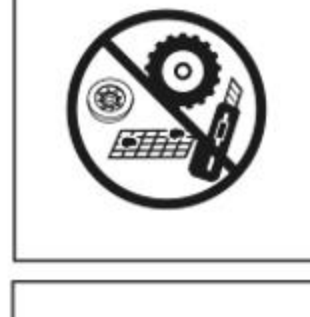
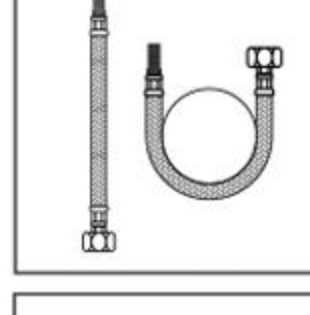
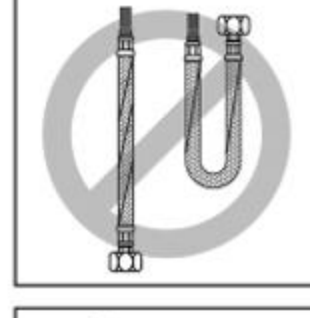
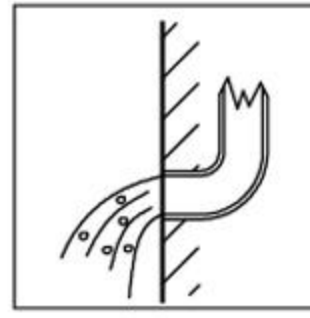
2. Please use clean water and soft cloth, solid car wax or water wax to remove surface dirt. Do not use any abrasive articles and detergent with acid and strong alkaline to wash chrome plated surface (attached figure), otherwise it will be seriously scratched. And corrode the product surface, seriously damage the product finish:

3. After each cleaning or use; Please dry the surface with a dry cotton cloth. Restore the original luster of the product:

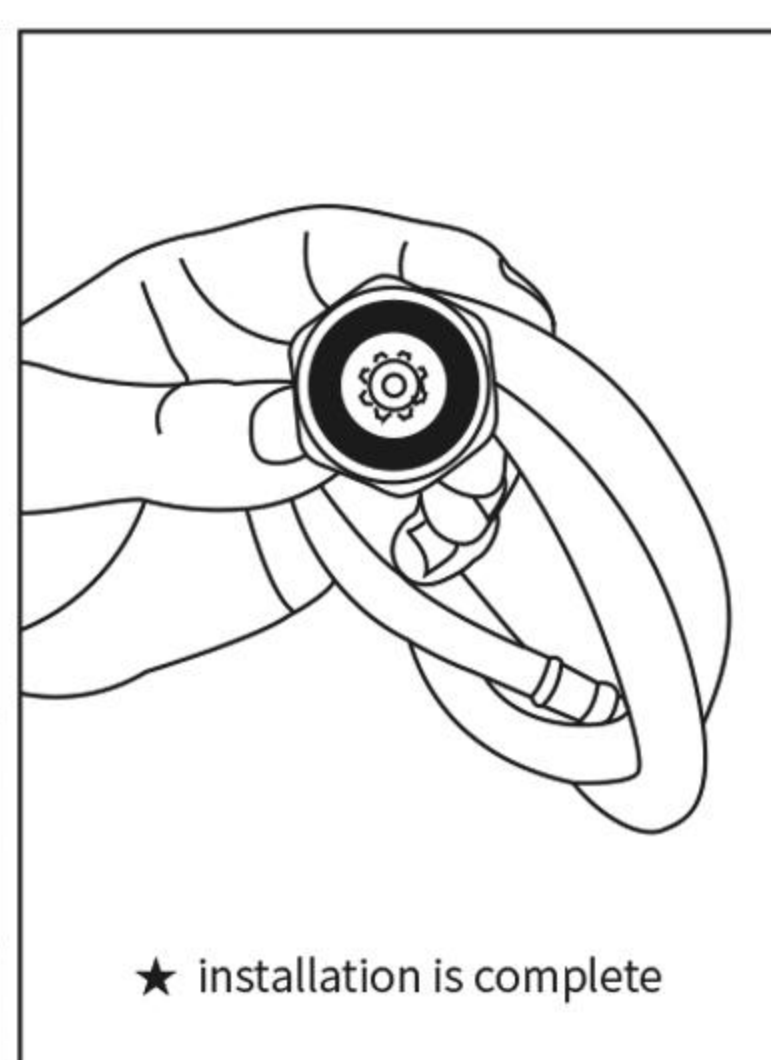
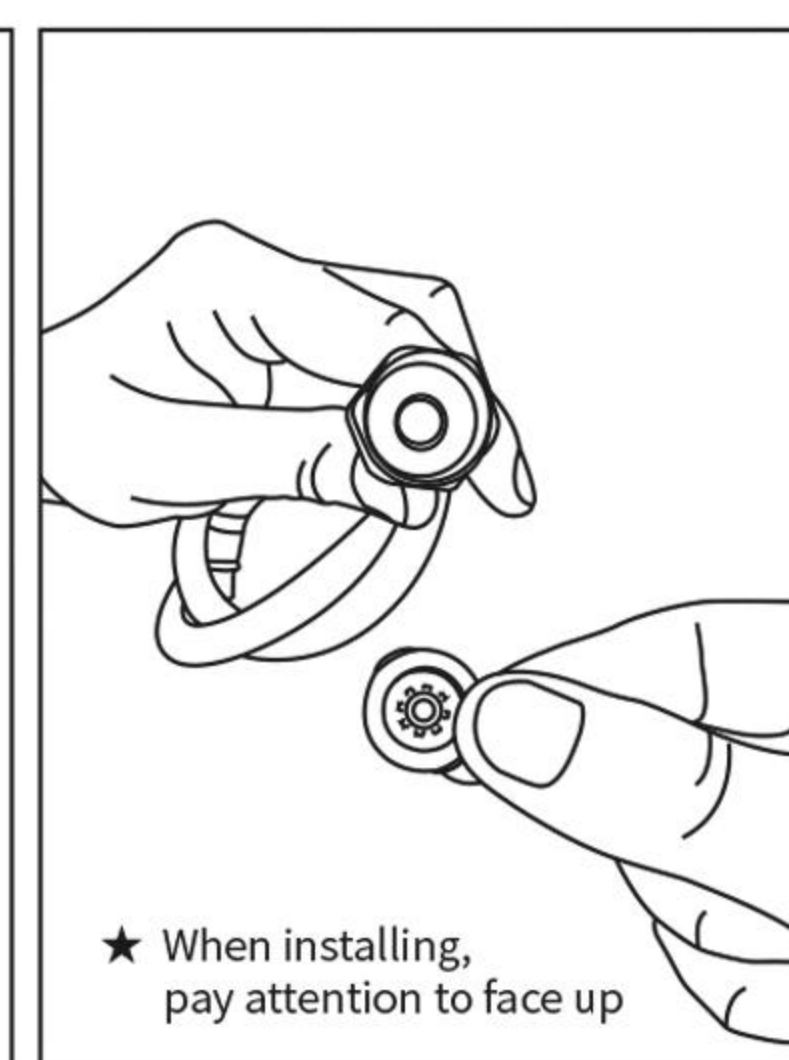
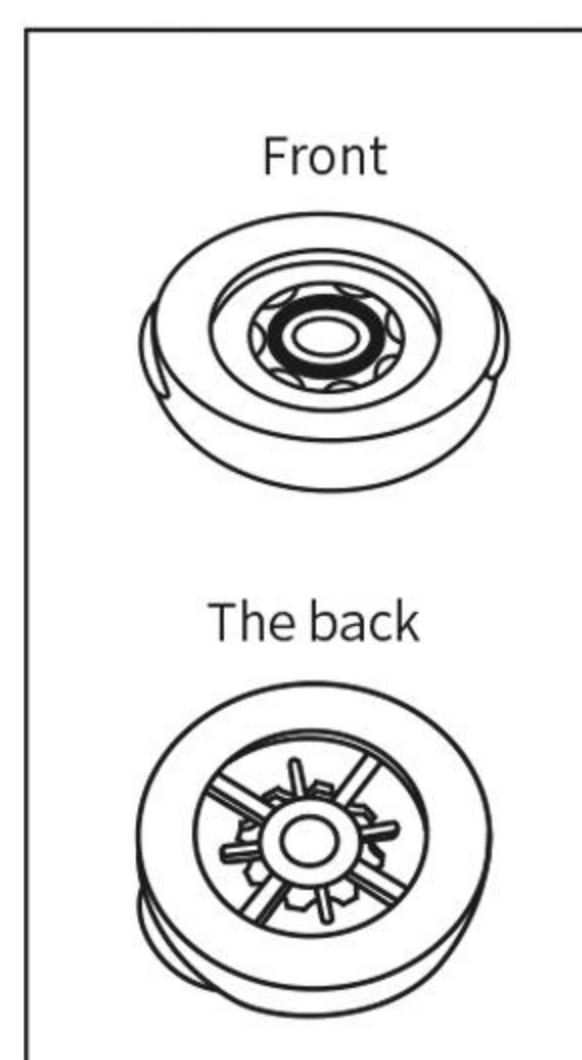
4. Please pay attention to the red and blue signs on the handle of the faucet during installation and use. The left red represents the hot water end, and the right Blue represents cold water end.

5. After installation, the installer should return the instructions and accessories to the customer and keep the instructions properly. Keep it well for maintenance of this product.

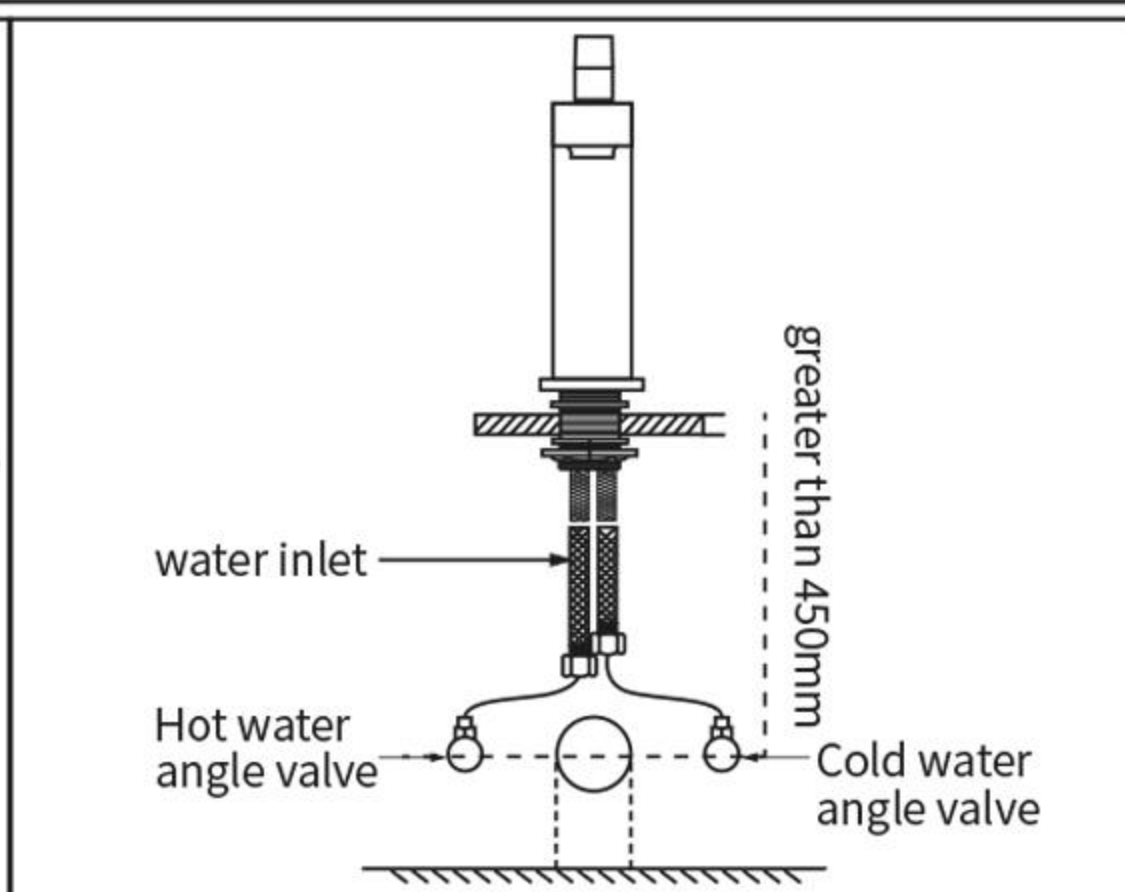
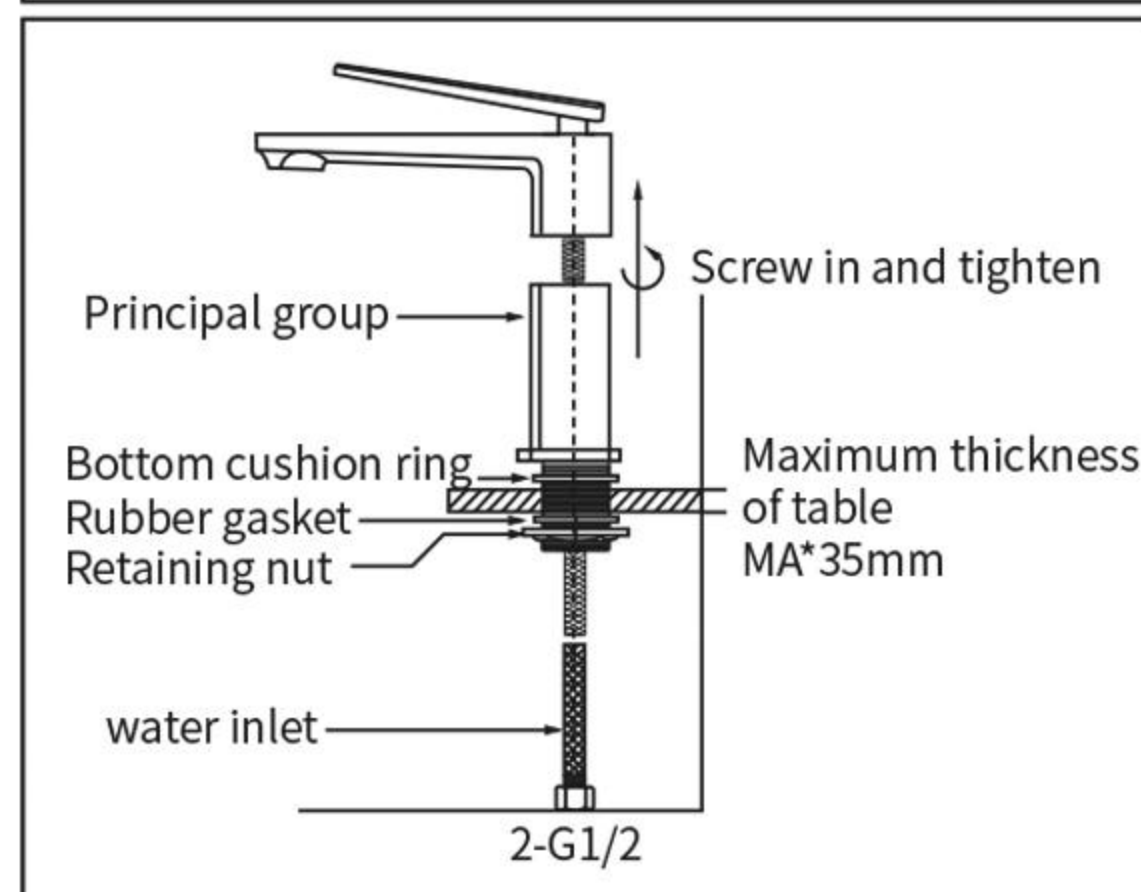
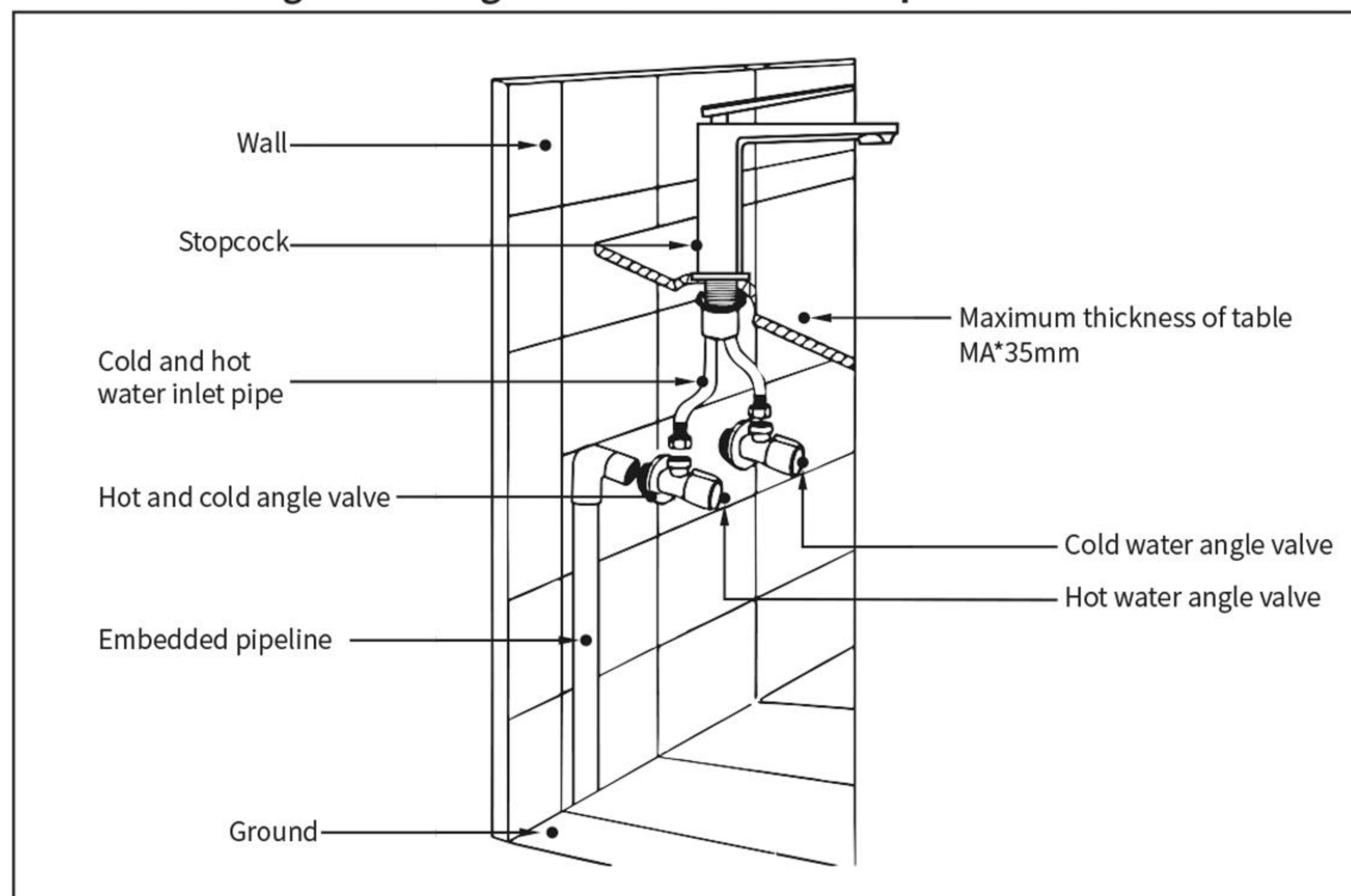
6. Water temperature control and handle opening mode of faucet:



Installation method of water-saving sheet



Installation diagram of single-hole cold and hot tap

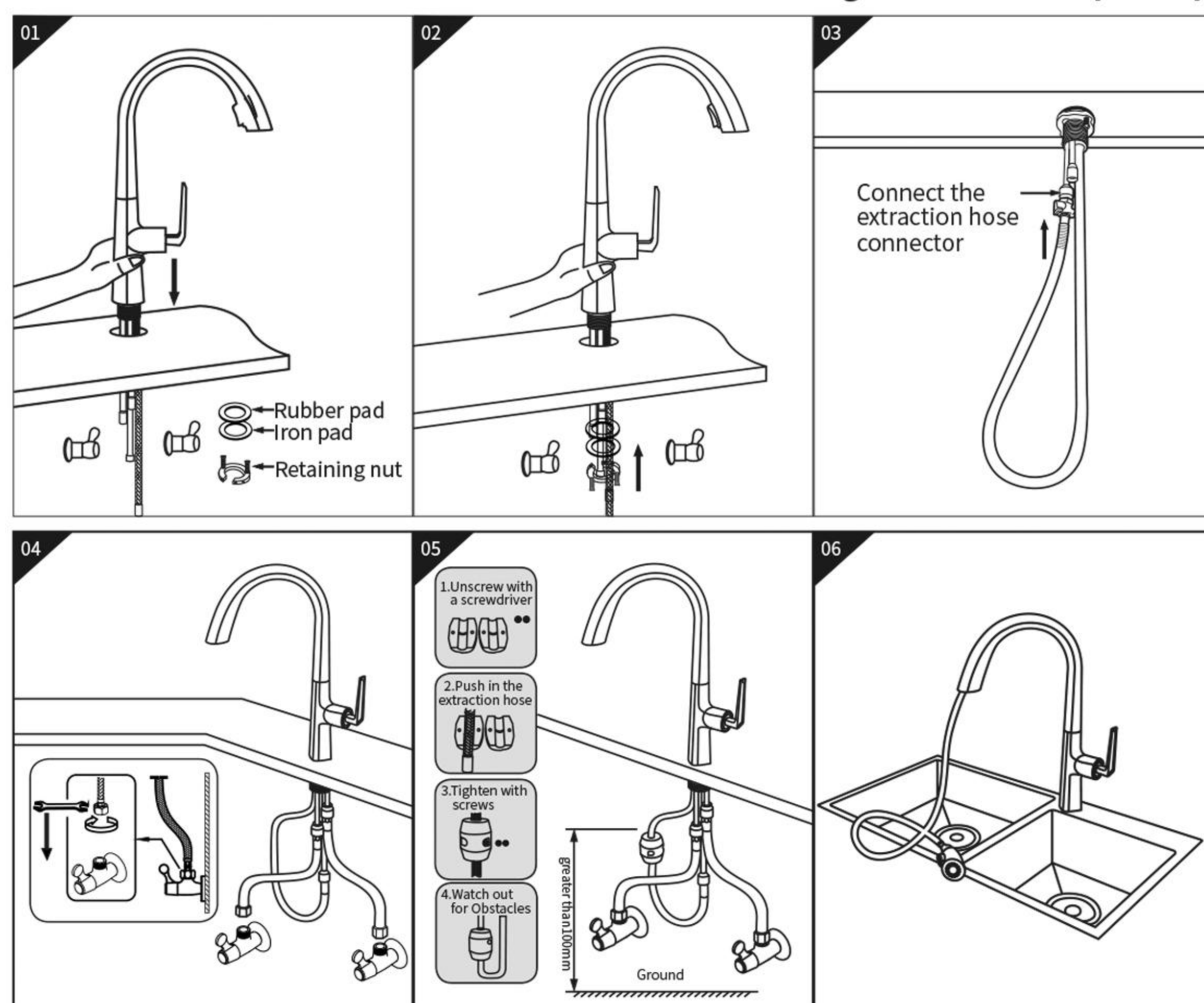


Installation steps

The standard length of the (red and blue) water inlet pipe of the faucet is 600mm. When you embed the water pipe and install the angle valve in the wall, please refer to the dimensions in the schematic diagram above.

If you have installed the angle valve and its installation position size is not within the range of our standard size, please contact our business personnel or customer service personnel. We can customize the length of stainless steel braided hose according to your on-site construction size.

Installation diagram of kitchen pull tap



Installation steps:

- Before installation, please make sure there is a drill on the kitchen basin $\Phi 35 - \Phi 40$ mm through-hole, the faucet body assembly is installed into the basin hole, and the bottom of the faucet body must be padded with a sealing ring, as shown in the figure, install the faucet body link from the bottom of the basin.
- As shown in the figure, insert the parts from the bottom of the table into the faucet tube and fix them firmly to prevent shaking.
- Rotate the extraction hose upwards and link it with the extraction hose connector.
- Connect the two water inlet hoses on the main body of the faucet to the hot and cold water angle valve respectively. The red water inlet pipe is connected with hot water, and the blue water inlet pipe is connected with cold water.
- Unscrew the gravity ball from the screwdriver and then cover it on the suction hose (the gravity ball cannot touch the ground or other obstacles), and then tighten it with the screwdriver.
- After the faucet is installed, test the water outlet mode first, and then debug the pull mode. If there is no problem with the installation, pay attention to the maintenance in the future!

Installation diagram of basin faucet entering the wall

Embedded depth of embedded box 60mm to tile surface

The water outlet is 10-15cm from the top of the basin

ON OFF hot-water cold water

Installation steps

1. Open the product packaging box, check whether the standard parts of the product are complete, and check whether the product is damaged during transportation.
2. Pre-assemble the "embedded double-handle faucet body group" in the wall, and test the sealing of each connection to ensure there is no leakage.
3. Seal the installation opening with decorative tiles on the wall, and reserve the installation position of handle and water outlet.
4. Insert the "decorative panel or decorative ring" into the body, corresponding to the correct position.
5. Lock the "handle group" on the body and screw it firmly.
6. Lock the "outlet pipe" on the body and screw it firmly.
7. After installation, please open the switch for testing and confirm that there is no leakage before use.

Installation diagram of split faucet

Exhalent siphon

Base ring

Rubber gasket

Retaining nut

Water inlet hose

Mounting hole size Ø 35mm

Handle

Copper bottom cover

Ground washer

Rubber gasket

Valve core group

Hot water interface

Cold water connection

G3/4

M32x1.5

G1/2

MIN10-MAX23.5

102

102

- (1) Put the bottom ring into the bottom of the outlet elbow group
- (2) Connect the inlet hose to the outlet elbow group, connect the left side with hot water and the right side with cold water
- (3) Fix the water outlet elbow group on the basin with the fixing nut.

- (1) Slide the bottom ring into the bottom of the copper bottom cover
- (2) Connect the valve core group with the top fixing nut, and then lock the valve core group on the basin with the bottom fixing nut
- (3) Press the handle into the bottom of the valve core group.

- (1) After the outlet elbow group is fixed with the valve core group, connect the inlet hose with the valve core group according to the left figure
- (2) The left valve core is connected to the hot water pipe, the right valve core is connected to the cold water pipe, and the installation can be completed by checking whether the faucet is fixed.

Installation diagram of split two-piece washbasin faucet

hand wheel

Rubber pad

Iron pad

blind nut

water inlet

exhalent siphon

Rubber pad

Iron pad

blind nut

Quick takeover

Hot and cold adjustment of key switch

Adjustable temperature

Hot water interface

Cold water connection

Bottom view of handwheel

Connecting pipe

Red and blue water inlet pipe hole

Red and blue water inlet pipe hole

Note: The red ● circle label faces the front when installing

Installation steps

1. Precautions for the installation of key handwheel. We have pasted a circular red label dot on the bottom circle. Note that the red label dot should not be removed before installation, because the dot plays a positioning role during installation (the red dot should face directly in front, that is, people should stand in the direction of washing)
2. Detailed drawing of the connecting pipe at the bottom of the handwheel (two holes with the mesh are connected to the red and blue water inlet pipe, and the remaining hole is connected to the connecting pipe, which is pasted with a red circle label)
3. First install the split faucet on the table as shown in the figure, cover the rubber pad at the bottom and tighten the iron pad with nuts, and then link the corresponding pipe parts with the dotted line as shown in the figure, pull the pipe and cover the gravity ball, and finally install the cold and hot angle valves on the red and blue water inlet pipes respectively.
4. After installation, clean the dirt generated during installation in time, pay attention to daily cleaning and maintenance, and let it bring you fresh and happy every day!

Installation diagram of split three-piece washbasin faucet

exhalent siphon

hand wheel

Rubber pad

Iron pad

blind nut

water inlet

Connecting pipe

Gravity sphere

Connector

Water-saving tablet

Hot water interface

Cold water connection

The temperature can be adjusted by pressing the key switch

The water nozzle can be pulled out

Water flow regulation

Installation steps

1. First install the split faucet on the table as shown in the figure, cover the rubber pad at the bottom and tighten the iron pad with nuts, and then link the corresponding pipe parts with the dotted line as shown in the figure, pull the pipe and cover the gravity ball, and finally install the cold and hot angle valves on the red and blue water inlet pipes respectively.
2. After installation, clean the dirt generated during installation in time, pay attention to daily cleaning and maintenance, and let it bring you fresh and happy every day!

Product warranty card

Thank you for purchasing our products

The company provides the following limited liability guarantee to the consumer users who purchase the bibcock

1. At any time within one year of your purchase of our bibcock, our company will repair or replace it with the same model of product for any fault caused by product quality
2. If the product is damaged due to improper installation or use by the user, the company will not replace it, but will repair it. The cost of the replaced parts will be charged.
3. This limited liability guarantee is only applicable to the original consumer users who purchase the company's leading products for residential and non-commercial purposes. For questions or inquiries about the use and maintenance of faucets, please contact our company or local dealers, explain the model and product problems of faucets, and attach the purchase certificate and this card.

warn

- Once the faucet heart is disassembled, it will lose its effect. Do not disassemble it by yourself
- Before installation, please be sure to remove impurities and sediment in the water pipe to avoid blocking the tap and affecting the water outlet function

certificate

Certificate of Qualification

Product name: _____

Product specification: _____

examination clerk: _____

Inspection date: _____

This product is allowed to leave the factory after passing the inspection